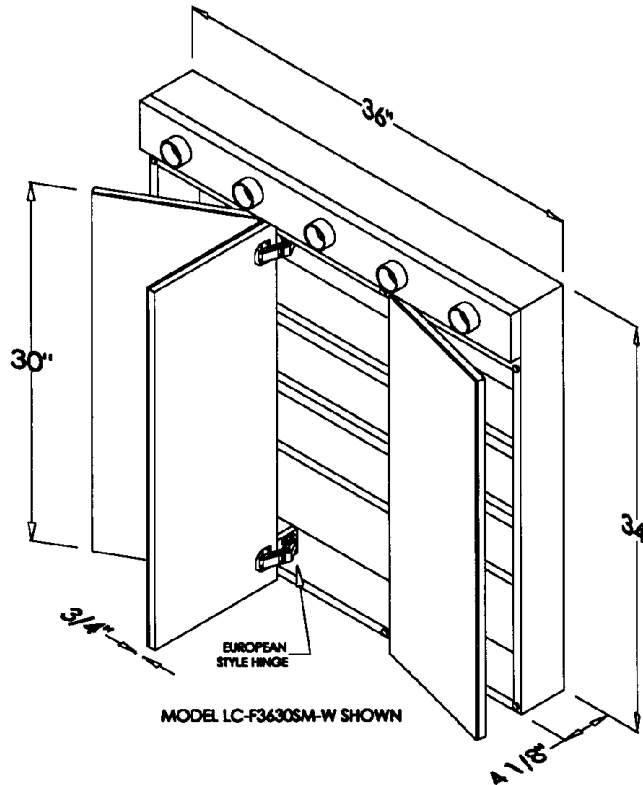


# BASCO TECHNICAL DATA SHEET

# LC SERIES 6/22/98

TRI-VIEW MEDICINE  
CABINETS

WITH LIGHT FIXTURE



OVERALL SIZE w X h	MIRRORED AREA SIZE w X h	POLISHED STAINLESS STEEL TRIM	FRAMELESS POLISHED EDGES	FRAMELESS BEVELED EDGES	FIXED METAL SHELVES	NUMBER OF BULBS
24" X 28"	24" X 24"	LC-S2424SM-W	LC-F2424SM-W	LC-BV2424SM-W	2	4
24" X 34"	24" X 30"	LC-S2430SM-W	LC-F2430SM-W	LC-BV2430SM-W	3	4
30" X 28"	30" X 24"	LC-S3024SM-W	LC-F3024SM-W	LC-BV3024SM-W	2	5
30" X 34"	30" X 30"	LC-S3030SM-W	LC-F3030SM-W	L-CBV3030SM-W	3	5
36" X 34"	36" X 30"	LC-S3630SM-W	LC-F3630SM-W	LC-BV3630SM-W	3	5
36" X 40"	36" X 36"	LC-S3636SM-W	LC-F3636SM-W	LC-BV3636SM-W	4	5
48" X 34"	48" X 30"	LC-S4830SM-W	LC-F4830SM-W	LC-BV4830SM-W	3	6
48" X 40"	48" X 36"	LC-S4836SM-W	LC-F4836SM-W	LC-BV4836SM-W	4	6
54" X 40"	54" X 36"	LC-S5436SM-W	LC-F5436SM-W	LC-BV5436SM-W	4	6
60" X 40"	60" X 36"	LC-S6036SM-W	LC-F6036SM-W	LC-BV6036SM-W	4	8
72" X 40"	72" X 36"	LC-S7236SM-W	LC-F7236SM-W	LC-BV7236SM-W	4	9

**BODY:** HEAVY 20 GAUGE PRIME COLD ROLLED STEEL.

**DOOR:** HEAVY 20 GAUGE PRIME COLD ROLLED STEEL. EQUIPPED WITH INVISIBLE EUROPEAN STYLE CABINET HINGES, AND RUBBER DOOR STOPPERS. DOORS CAN BE COMPLETELY FRAMELESS OR HAVE BRIGHT STAINLESS STEEL TRIM AT THE TOP AND BOTTOM.

**FINISH:** BONDERIZED AFTER FORMING TO RESIST RUST AND SPRAYED WITH A SPECIAL WHITE COLOR ENAMEL, BAKED ON AT HIGH TEMPERATURE FOR DURABILITY.

**MIRRORS:** 3/16" FIRST QUALITY PLATE GLASS, SET ON VINYL GLAZING TAPE. MIRRORS ARE AVAILABLE IN FRAMELESS POLISHED EDGE OR FRAMELESS BEVELED EDGE.

**LIGHT FIXTURE:** BRIGHT CHROME PLATED AND ACCEPTS STANDARD G25 BASE BULBS. FIXTURE IS 4" HIGH AND 1" DEEP AND THE FACE OF THE FIXTURE IS FLUSH WITH THE FACE OF THE MIRRORED DOORS. THE CHROME LIGHT SOCKET BASE PROJECTS AN ADDITIONAL 1" IN FRONT OF THE MIRRORS. OPTIONAL BRASS LIGHT FIXTURE IS ALSO AVAILABLE, SUBSTITUTE "LB" AT THE BEGINNING OF THE PART NUMBER.

**SHELVES:** FIXED, 3/4" THICK.