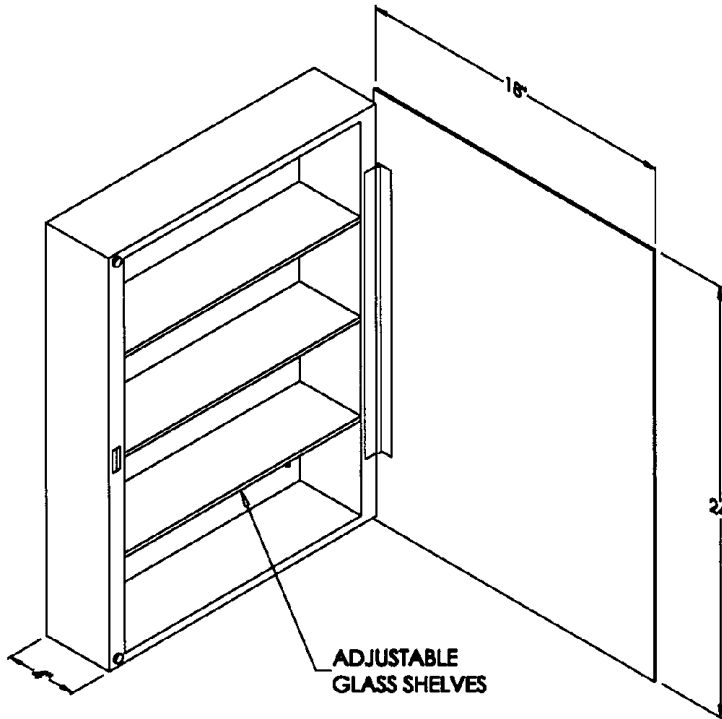


BASCO TECHNICAL DATA SHEET

STAINLESS STEEL FRAME MEDICINE CABINET

SURFACE MOUNTED
MODELS

7/2/99



MODEL NUMBER	MIRROR TYPE	OVERALL SIZE W X H	GLASS SHELVES
SM360-W	1/8" PLATE	14 1/8" X 20 1/4"	2
SM370-W	1/8" PLATE	12 1/8" X 36 1/4"	4
SM371-W	1/8" PLATE	16 1/8" X 22 1/4"	2
SM372P-W	3/16" PLATE	16 1/8" X 22 1/4"	2
SM373P-W	3/16" PLATE	16 1/8" X 30 1/4"	3
SM374P-W	3/16" PLATE	18 1/8" X 24 1/4"	3
SM375P-W	3/16" PLATE	16 1/8" X 26 1/4"	3
SM376P-W	3/16" PLATE	20 1/8" X 26 1/4"	3
SM377P-W	3/16" PLATE	16 1/8" X 36 1/4"	4
SM378P-W	3/16" PLATE	18 1/8" X 36 1/4"	4
SM379P-W	3/16" PLATE	18 1/8" X 42 1/4"	4
SM380P-W	3/16" PLATE	18 1/8" X 60 1/4"	5
SM381P-W	3/16" PLATE	18 1/8" X 30 1/4"	3
SM390P-W	3/16" PLATE	24 1/8" X 30 1/4"	4
SM392P-W	3/16" PLATE	24 1/8" X 36 1/4"	4

BODY: HEAVY 20 GAUGE PRIME SHEETS OF COLD ROLLED STEEL.

DOOR: HEAVY 20 GAUGE PRIME COLD ROLLED STEEL. EQUIPPED WITH MAGNETIC CATCH(S) AND RUBBER DOOR SILENCERS. DOOR MOUNTED WITH A FULL LENGTH PIANO HINGE AND IS FIELD REMOVEABLE AND REPLACEABLE.

FINISH: BONDERIZED AFTER FORMING TO RESIST RUST AND SPRAYED WITH A SPECIAL WHITE ENAMEL, BAKED ON AT HIGH TEMPERATURE FOR DURABILITY.

MIRRORS: FIRST QUALITY PLATE GLASS, WITH TWO COATS OF SILVER, THEN ELECTROLYTICALLY COPPER CLAD AS DEFINED IN U.S. COMMERCIAL STANDARD CS-27-36. WARRENTIATED FOR 5 YEARS AGAINST SILVERING DEFECTS. EDGES POLISHED OR POLISHED WITH 1/2" BEVEL.

SHELVES: GLASS, ADJUSTABLE 1/4" THICK WITH POLISHED FRONT EDGE.

SHELF BRACKETS: ALUMINUM SHELF BRACKETS ARE REMOVEABLE AND ADJUSTABLE AND LOCK IN PLACE.

DOOR STOP: STOP HINGE REVERSIBLE SWING DOOR.