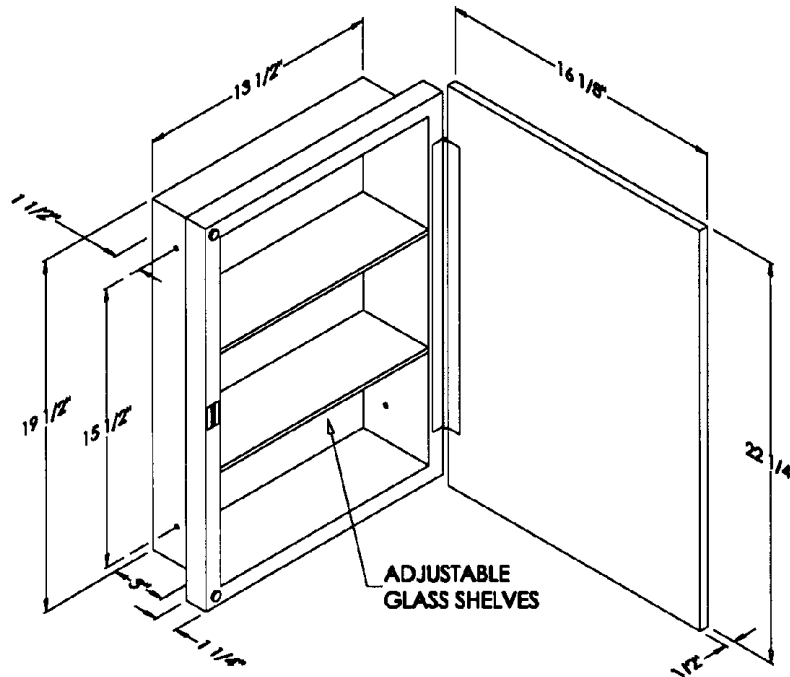


# BASCO TECHNICAL DATA SHEET

## STAINLESS STEEL FRAME MEDICINE CABINET

RECESSED MODELS

7/1/99



MODEL 372P-W SHOWN

MODEL NUMBER	MIRROR TYPE	WALL OPENING w X h X d	OVERALL SIZE W X H	GLASS SHELVES
360-W	1/8" PLATE	12" X 18" X 3"	14 1/8" X 20 1/4"	2
370-W	1/8" PLATE	10" X 34" X 3"	12 1/8" X 36 1/4"	4
371-W	1/8" PLATE	14" X 18" X 3"	16 1/8" X 22 1/4"	2
372P-W	3/16" PLATE	14" X 20" X 3"	16 1/8" X 22 1/4"	2
373P-W	3/16" PLATE	14" X 28" X 3"	16 1/8" X 30 1/4"	3
374P-W	3/16" PLATE	16" X 22" X 3"	18 1/8" X 24 1/4"	3
375P-W	3/16" PLATE	14" X 24" X 3"	16 1/8" X 26 1/4"	3
376P-W	3/16" PLATE	18" X 24" X 3"	20 1/8" X 26 1/4"	3
377P-W	3/16" PLATE	14" X 34" X 3"	16 1/8" X 36 1/4"	4
378P-W	3/16" PLATE	16" X 34" X 3"	18 1/8" X 36 1/4"	4
379P-W	3/16" PLATE	16" X 40" X 3"	18 1/8" X 42 1/4"	4
380P-W	3/16" PLATE	16" X 58" X 3"	18 1/8" X 60 1/4"	5
381P-W	3/16" PLATE	16" X 28" X 3"	18 1/8" X 30 1/4"	3
390P-W	3/16" PLATE	22" X 28" X 3"	24 1/8" X 30 1/4"	4
392P-W	3/16" PLATE	22" X 34" X 3"	24 1/8" X 36 1/4"	4

POLISHED BRASS FRAMES ARE AVAILABLE. ADD PREFIX "PB" TO ABOVE MODEL NUMBERS.

**BODY:** HEAVY 20 GAUGE PRIME SHEETS OF COLD ROLLED STEEL.

**DOOR:** HEAVY 20 GAUGE PRIME COLD ROLLED STEEL. EQUIPPED WITH MAGNETIC CATCH(S) AND RUBBER DOOR SILENCERS. DOOR MOUNTED WITH A FULL LENGTH PIANO HINGE AND IS FIELD REMOVEABLE AND REPLACEABLE.

**FINISH:** BONDERIZED AFTER FORMING TO RESIST RUST AND SPRAYED WITH A SPECIAL WHITE ENAMEL, BAKED ON AT HIGH TEMPERATURE FOR DURABILITY.

**MIRRORS:** FIRST QUALITY PLATE GLASS, WITH TWO COATS OF SILVER, THEN ELECTROLYTICALLY COPPER CLAD AS DEFINED IN U.S. COMMERCIAL STANDARD CS-27-36. WARRENTEED FOR 5 YEARS AGAINST SILVERING DEFECTS.

**SHELVES:** GLASS, ADJUSTABLE 1/4" THICK WITH POLISHED FRONT EDGE.

**SHELF BRACKETS:** ALUMINUM SHELF BRACKETS ARE REMOVEABLE AND ADJUSTABLE AND LOCK IN PLACE.

**DOOR STOP:** STOP HINGE-REVERSIBLE SWING DOOR.

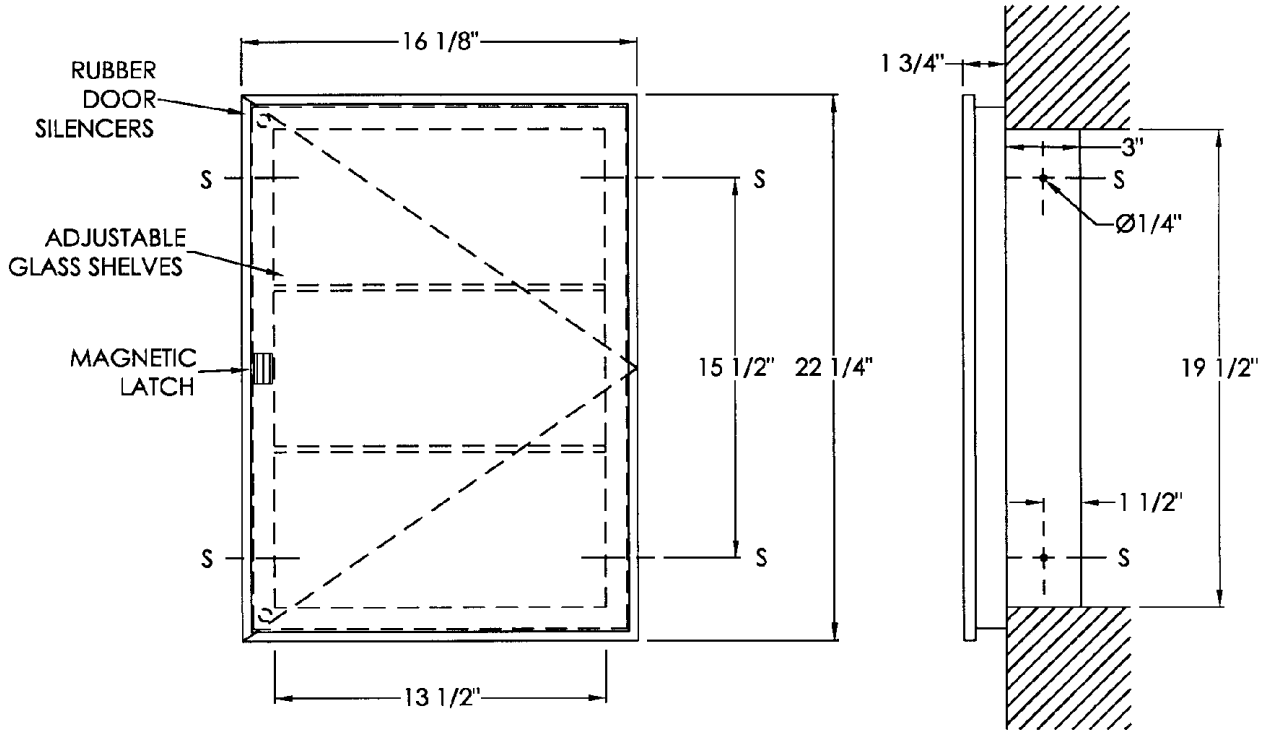
# BASCO TECHNICAL DATA SHEET

## STAINLESS STEEL FRAME MEDICINE CABINET

RECESSED MODELS

7/1/99

MODEL 372P-W SHOWN



MODEL NUMBER	MIRROR TYPE	WALL OPENING w X h X d	OVERALL SIZE W X H	GLASS SHELVES
360-W	1/8" PLATE	12" X 18" X 3"	14 1/8" X 20 1/4"	2
370-W	1/8" PLATE	10" X 34" X 3"	12 1/8" X 36 1/4"	4
371-W	1/8" PLATE	14" X 18" X 3"	16 1/8" X 22 1/4"	2
372P-W	3/16" PLATE	14" X 20" X 3"	16 1/8" X 22 1/4"	2
373P-W	3/16" PLATE	14" X 28" X 3"	16 1/8" X 30 1/4"	3
374P-W	3/16" PLATE	16" X 22" X 3"	18 1/8" X 24 1/4"	3
375P-W	3/16" PLATE	14" X 24" X 3"	16 1/8" X 26 1/4"	3
376P-W	3/16" PLATE	18" X 24" X 3"	20 1/8" X 26 1/4"	3
377P-W	3/16" PLATE	14" X 34" X 3"	16 1/8" X 36 1/4"	4
378P-W	3/16" PLATE	16" X 34" X 3"	18 1/8" X 36 1/4"	4
379P-W	3/16" PLATE	16" X 40" X 3"	18 1/8" X 42 1/4"	4
380P-W	3/16" PLATE	16" X 58" X 3"	18 1/8" X 60 1/4"	5
381P-W	3/16" PLATE	16" X 28" X 3"	18 1/8" X 30 1/4"	3
390P-W	3/16" PLATE	22" X 28" X 3"	24 1/8" X 30 1/4"	4
392P-W	3/16" PLATE	22" X 34" X 3"	24 1/8" X 36 1/4"	4

POLISHED BRASS FRAMES ARE AVAILABLE, ADD PREFIX "PB" TO ABOVE MODEL NUMBERS.

**BODY:** HEAVY 20 GAUGE PRIME SHEETS OF COLD ROLLED STEEL.

**DOOR:** HEAVY 20 GAUGE PRIME COLD ROLLED STEEL. EQUIPPED WITH MAGNETIC CATCH(S) AND RUBBER DOOR SILENCERS. DOOR MOUNTED WITH A FULL LENGTH PIANO HINGE AND IS FIELD REMOVEABLE AND REPLACEABLE.

**FINISH:** BONDERIZED AFTER FORMING TO RESIST RUST AND SPRAYED WITH A SPECIAL WHITE ENAMEL, BAKED ON AT HIGH TEMPERATURE FOR DURABILITY.

**MIRRORS:** FIRST QUALITY PLATE GLASS, WITH TWO COATS OF SILVER, THEN ELECTROLYTICALLY COPPER CLAD AS DEFINED IN U.S. COMMERCIAL STANDARD CS-27-36. WARRENTEED FOR 5 YEARS AGAINST SILVERING DEFECTS.

**SHELVES:** GLASS, ADJUSTABLE 1/4" THICK WITH POLISHED FRONT EDGE.

**SHELF BRACKETS:** ALUMINUM SHELF BRACKETS ARE REMOVEABLE AND ADJUSTABLE AND LOCK IN PLACE.

**DOOR STOP:** STOP HINGE-REVERSIBLE SWING DOOR.