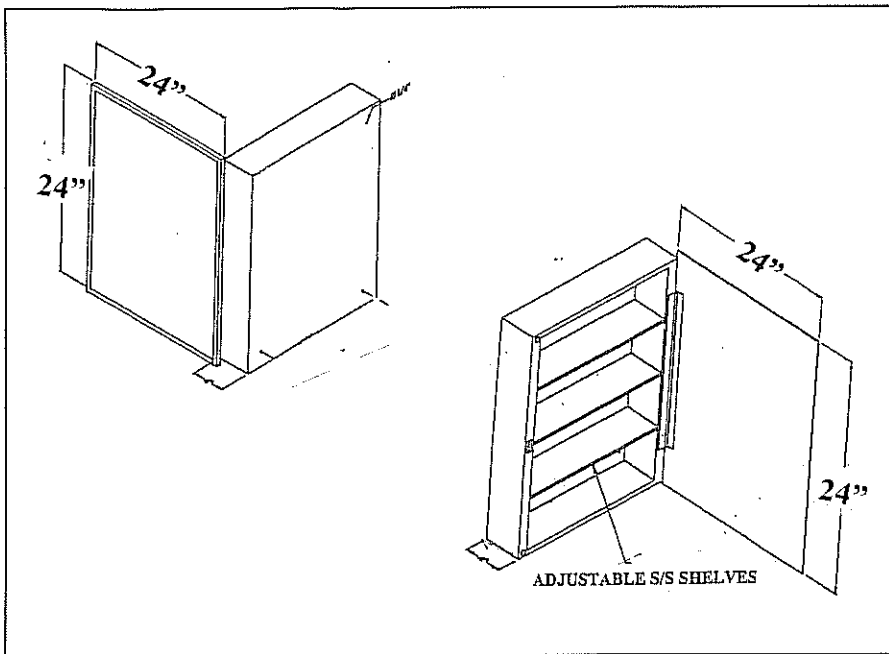
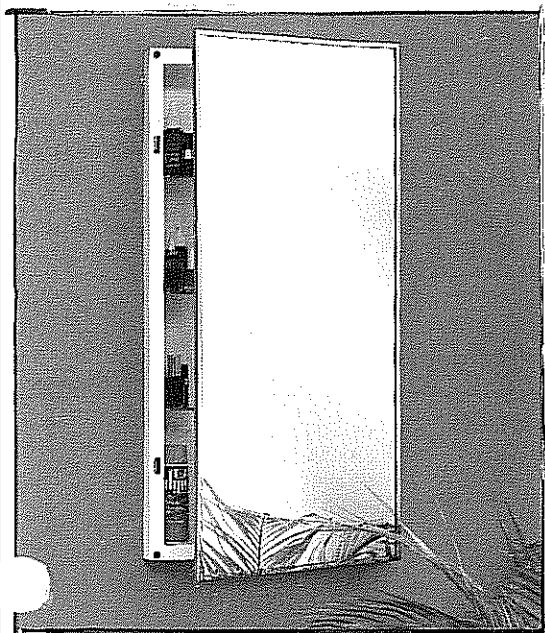




BUILDING ACCESSORIES SALES CO.
 40 AERO ROAD, PO BOX 237- BOHEMIA, NY 11716
 TEL: (631) 567-4404 FAX: (631) 567-4815

MODEL NO: **SM384P-W**
 ISSUED: 10/21/2005
 REVISED:

SURFACE MOUNTED 24" X 24" CAB W/STAINLESS ST FRAMED MIRROR - WHITE BODY



Please Note: Picture Shows recessed mounting; picture is to show mirror style only. Cabinet to be surface mounted.

OVERALL SIZE	24 1/8" X 24 1/4"
WALL OPENING	N/A
SHELVES	3 Glass, adjustable 1/4" thick with polished front edge (SHELF-21 1/4 X 3)
SHELF BRACKETS:	Aluminum shelf brackets lock in place. They are removable & adjustable.
BODY	20-Gauge Rolled Steel
DOOR:	20-Gauge Steel with magnetic catch, Full-length piano hinge. Door is field removable & replaceable.
FINISH:	Rust-resistant with White Baked Enamel.
MIRRORS:	Plate Glass w/ two coats of silver, then electrolytic ally copper clad as defined in US commercial standard CS-27-36. Guaranteed for (5) years against silvering defects. Mirror surrounded by stainless steel frame.
DOOR STOP:	Stop hinge, reversible swing door.

REFERENCE:	QTY:	REMARKS:	PROJECT:
ote #:			ARCHITECT: SUBMITTED BY: ON: / / APPROVED: YES NO

THE MANUFACTURER RESERVES THE RIGHT TO MAKE CHANGES IN DESIGN OR DIMENSIONS WITHOUT FORMAL NOTICE