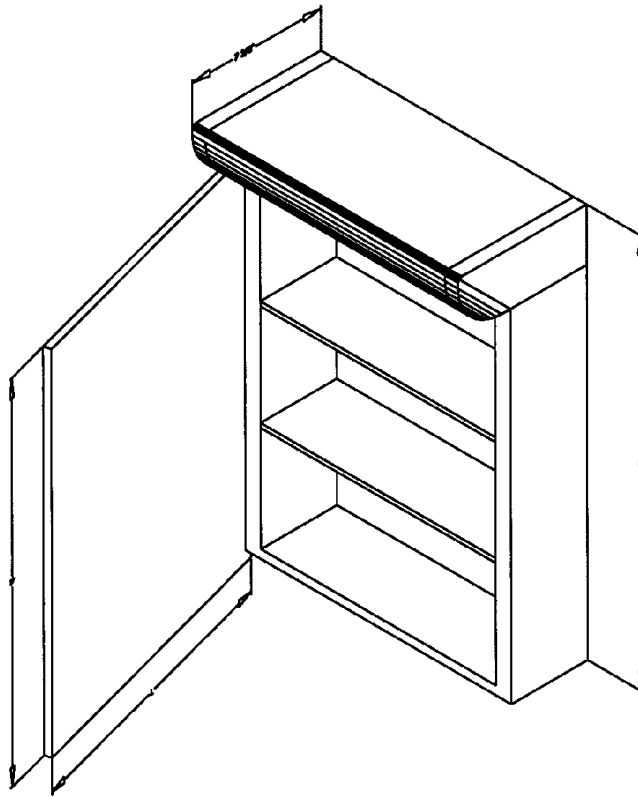


BASCO TECHNICAL DATA SHEET

TL-SM SERIES

SURFACE MOUNT/ TOP
LIGHT MEDICINE
CABINET

5/18/99



SURFACE MODEL NO.

TL-SM-371-W
TL-SM-373-W
TL-SM-378-W

OVERALL SIZE L X H X d

16 1/8" X 23 1/2" X 7 3/8"
16 1/8" X 33 1/2" X 7 3/8"
18 1/8" X 39 1/2" X 7 3/8"

MIRROR SIZE L X h

16 1/8" X 20 1/4"
16 1/8" X 30 1/4"
18 1/8" X 36 1/4"

BODY: HEAVY 20 GAUGE PRIME SHEETS OF COLD ROLLED STEEL.

DOOR: HEAVY 20 GAUGE PRIME SHEETS OF COLD ROLLED STEEL. EQUIPPED WITH MAGNETIC CATCH(S) AND RUBBER DOOR SILENCERS. DOOR MOUNTED WITH A FULL LENGTH PIANO HINGE AND IS FIELD REMOVABLE & REPLACEABLE.

FINISH: BONDERIZED AFTER FORMING TO RESIST RUST AND SPRAYED WITH A SPECIAL WHITE COLOR ENAMEL, BAKED ON AT HIGH TEMPERATURE FOR DURABILITY.

MIRRORS: FIRST QUALITY 3/16" PLATE GLASS, WITH TWO COATS OF SILVER, THEN ELECTROLYTICALLY COPPER CLAD AS DEFINED U.S. COMMERCIAL STANDARD CS-27-36. WARRENTIIEED FOR 5 YEARS AGAINST SIVERING DEFECTS.

SHELVES: GLASS, ADJUSTABLE 1/4" THICK WITH POLISHED FRONT EDGE.

SHELF BRACKETS: LOCKING ALUMINUM SHELF BRACKETS ARE REMOVABLE AND ADJUSTABLE WITH TABS TO PREVENT ACCIDENTAL REMOVAL OF SHELF.

DOOR STOP: STOP HINGE.

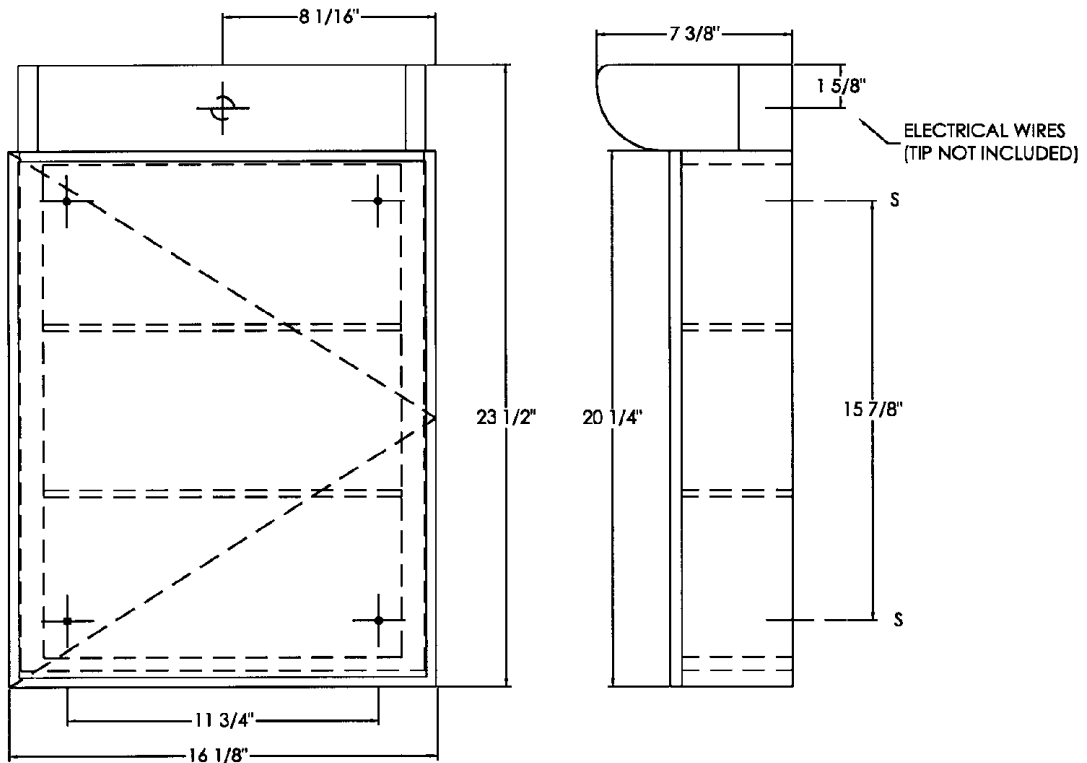
LIGHT: (2) 60 WATT INCANDESCENT BULBS (NOT INCLUDED), UL APPROVED.

BASCO TECHNICAL DATA SHEET

TL-SM SERIES

SURFACE MOUNT/ TOP
LIGHT MEDICINE
CABINET

5/18/99



SURFACE MODEL NO.

OVERALL SIZE L X H X d

MIRROR SIZE L X h

TL-SM-371-W

16 1/8" X 23 1/2" X 7 3/8"

16 1/8" X 20 1/4"

TL-SM-373-W

16 1/8" X 33 1/2" X 7 3/8"

16 1/8" X 30 1/4"

TL-SM-378-W

18 1/8" X 39 1/2" X 7 3/8"

18 1/8" X 36 1/4"

BODY: HEAVY 20 GAUGE PRIME SHEETS OF COLD ROLLED STEEL.

DOOR: HEAVY 20 GAUGE PRIME SHEETS OF COLD ROLLED STEEL. EQUIPPED WITH MAGNETIC CATCH(S) AND RUBBER DOOR SILENCERS. DOOR MOUNTED WITH A FULL LENGTH PIANO HINGE AND IS FIELD REMOVABLE & REPLACEABLE.

FINISH: BONDERIZED AFTER FORMING TO RESIST RUST AND SPRAYED WITH A SPECIAL WHITE COLOR ENAMEL, BAKED ON AT HIGH TEMPERATURE FOR DURABILITY.

MIRRORS: FIRST QUALITY 3/16" PLATE GLASS, WITH TWO COATS OF SILVER, THEN ELECTROLYTICALLY COPPER CLAD AS DEFINED U.S. COMMERCIAL STANDARD CS-27-36. WARRENTIRED FOR 5 YEARS AGAINST SIVERING DEFECTS.

SHELVES: GLASS, ADJUSTABLE 1/4" THICK WITH POLISHED FRONT EDGE.

SHELF BRACKETS: LOCKING ALUMINUM SHELF BRACKETS ARE REMOVABLE AND ADJUSTABLE WITH TABS TO PREVENT ACCIDENTAL REMOVAL OF SHELF.

DOOR STOP: STOP HINGE.

LIGHT: (2) 60 WATT INCANDESCENT BULBS (NOT INCLUDED), UL APPROVED.