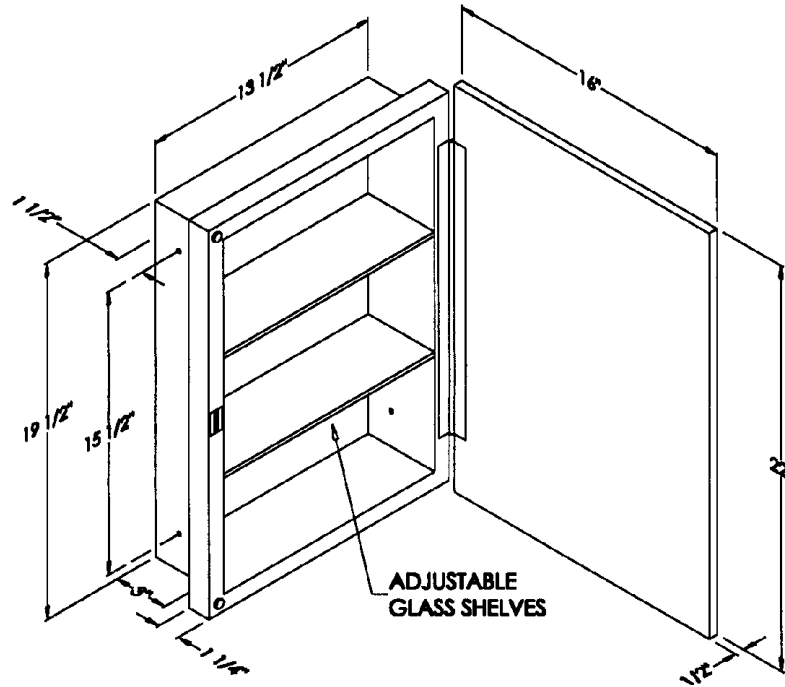


BASCO TECHNICAL DATA SHEET

BEVELED AND POLISHED EDGE MEDICINE CABINET

7/1/99

RECESSED MODELS



MODEL PE372P-W SHOWN

<u>POLISHED EDGE MODEL NUMBER</u>	<u>BEVELED EDGE MODEL NUMBER</u>	<u>WALL OPENING w x h x d</u>	<u>OVERALL SIZE W X H</u>	<u>GLASS SHELVES</u>
PE370-W	BV370-W	10" X 34" X 3"	12" X 36"	4
PE371-W	BV371-W	14" X 18" X 3"	16" X 22"	2
PE372P-W	BV372P-W	14" X 20" X 3"	16" X 22"	2
PE374P-W	BV374P-W	16" X 22" X 3"	18" X 24"	3
PE375P-W	BV375P-W	14" X 24" X 3"	16" X 26"	3
PE376P-W	BV376P-W	18" X 24" X 3"	20" X 26"	3
PE377P-W	BV377P-W	14" X 34" X 3"	16" X 36"	4
PE378P-W	BV378P-W	16" X 34" X 3"	18" X 36"	4
PE379P-W	BV379P-W	16" X 40" X 3"	18" X 42"	4
PE380P-W	BV380P-W	16" X 58" X 3"	18" X 60"	5
PE390P-W	BV390P-W	22" X 28" X 3"	24" X 30"	4
PE392P-W	BV392P-W	22" X 34" X 3"	24" X 36"	4

BODY: HEAVY 20 GAUGE PRIME SHEETS OF COLD ROLLED STEEL.

DOOR: HEAVY 20 GAUGE PRIME COLD ROLLED STEEL. EQUIPPED WITH MAGNETIC CATCH(S) AND RUBBER DOOR SILENCERS. DOOR MOUNTED WITH A FULL LENGTH PIANO HINGE AND IS FIELD REMOVEABLE AND REPLACEABLE.

FINISH: BONDERIZED AFTER FORMING TO RESIST RUST AND SPRAYED WITH A SPECIAL WHITE ENAMEL, BAKED ON AT HIGH TEMPERATURE FOR DURABILITY.

MIRRORS: FIRST QUALITY PLATE GLASS, WITH TWO COATS OF SILVER, THEN ELECTROLYTICALLY COPPER CLAD AS DEFINED IN U.S. COMMERCIAL STANDARD CS-27-36. WARRENTEED FOR 5 YEARS AGAINST SILVERING DEFECTS.

SHELVES: GLASS, ADJUSTABLE 1/4" THICK WITH POLISHED FRONT EDGE.

SHELF BRACKETS: ALUMINUM SHELF BRACKETS ARE REMOVEABLE AND ADJUSTABLE AND LOCK IN PLACE.

DOOR STOP: STOP HINGE-REVERSIBLE SWING DOOR.