

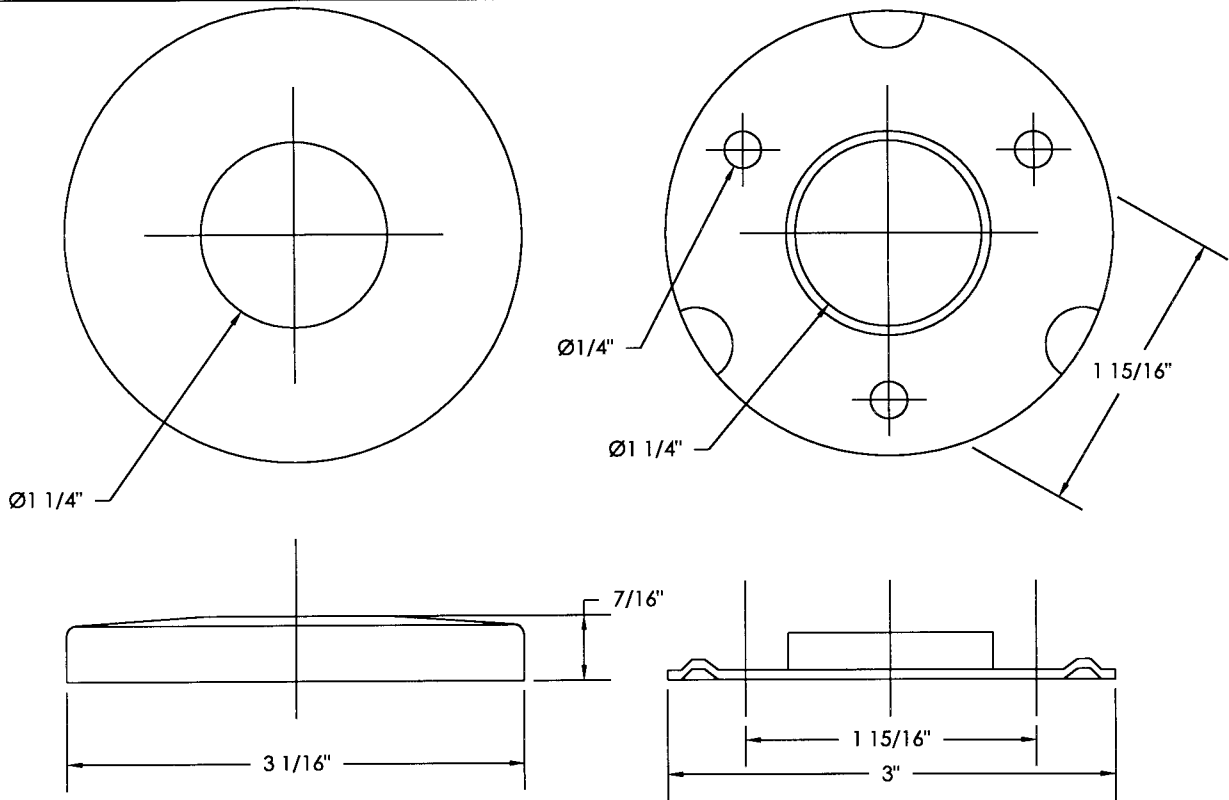
BASCO TECHNICAL DATA SHEET

1230B

5/27/99

SHOWER ROD
END FLANGES

CONCEALED SCREW
STAINLESS STEEL



Flange has a hole diameter of $1\frac{1}{4}"$ and an outer diameter of $3\frac{1}{16}"$.
Screw holes are $\frac{1}{4}"$ in diameter and are equilaterally spaced at $1\frac{15}{16}"$ apart. Flange sits at a depth of $\frac{7}{16}"$.

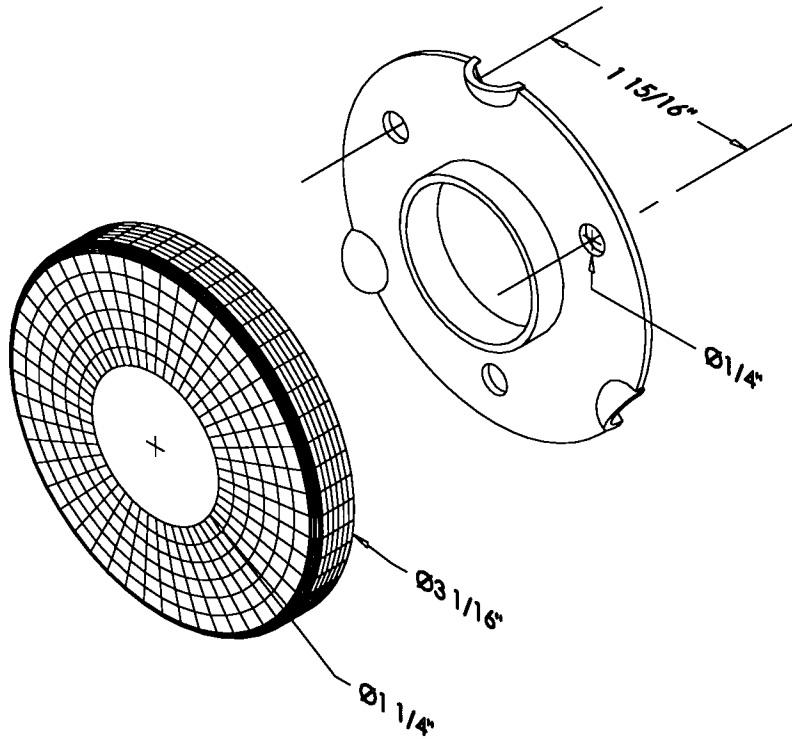
BASCO TECHNICAL DATA SHEET

1230B

5/27/99

SHOWER ROD
END FLANGES

CONCEALED SCREW
STAINLESS STEEL



Flange has a hole diameter of $1 \frac{1}{4}$ " and an outer diameter of $3 \frac{1}{16}$ ".
Screw holes are $\frac{1}{4}$ " in diameter and are equilaterally spaced at $1 \frac{15}{16}$ "
apart. Flange sits at a depth of $\frac{7}{16}$ ".