

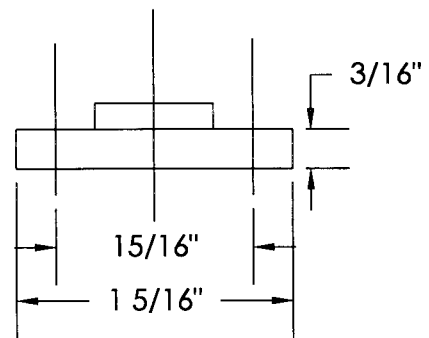
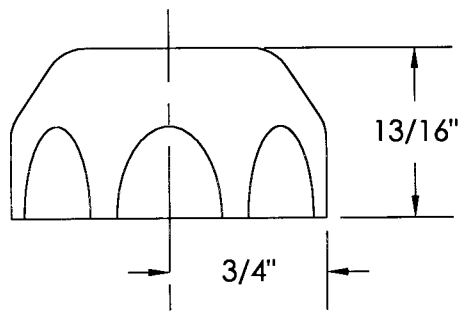
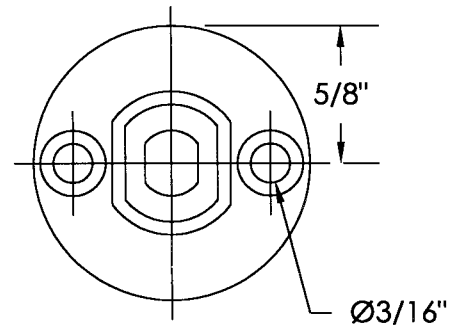
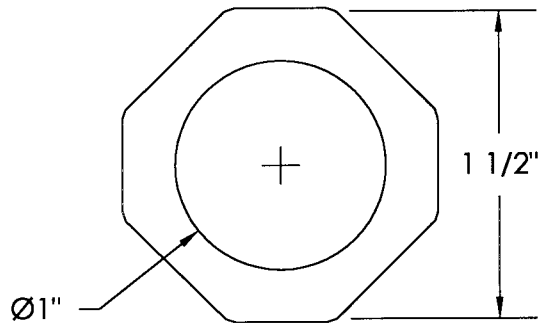
# BASCO TECHNICAL DATA SHEET

# 1208B

5/26/99

SHOWER ROD  
END FLANGES

CONCEALED SCREW  
CHROME PLTD. BRASS



One inch diameter hole. The cover fixture has a diameter of  $1\frac{5}{16}''$  and sits at a depth of  $\frac{13}{16}''$ . Screw holes have a diameter of  $\frac{3}{16}''$  and are  $\frac{15}{16}''$  apart.

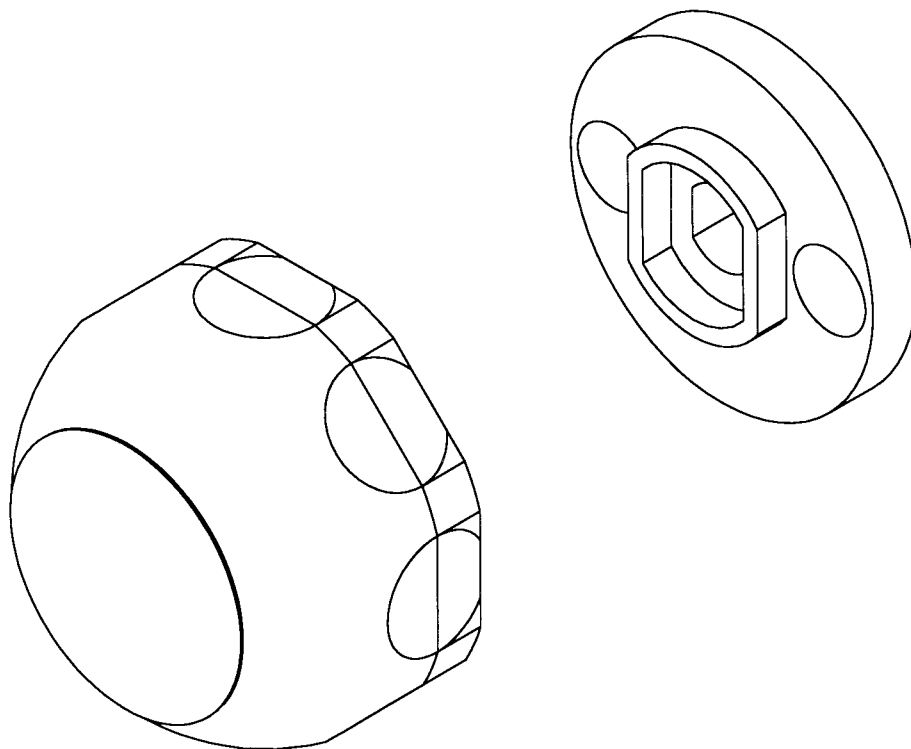
# BASCO TECHNICAL DATA SHEET

# 1208B

5/26/99

SHOWER ROD  
END FLANGES

CONCEALED SCREW  
CHROME PLTD. BRASS



One inch diameter hole. The cover fixture has a diameter of  $1 \frac{5}{16}$ " and sits at a depth of  $\frac{13}{16}$ ". Screw holes have a diameter of  $\frac{3}{16}$ " and are  $\frac{15}{16}$ " apart.