

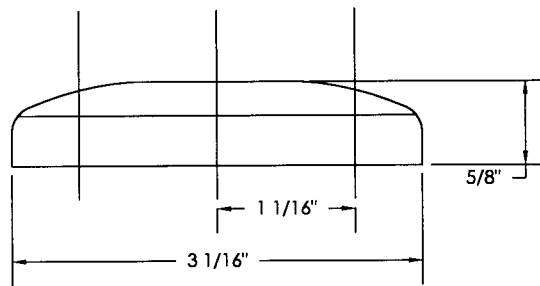
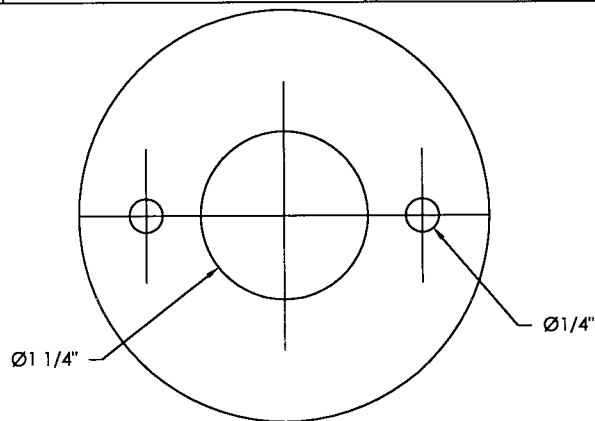
# BASCO TECHNICAL DATA SHEET

# 1205B

5/27/99

SHOWER ROD  
END FLANGES

EXPOSED SCREW  
POLISHED STAINLESS STEEL



Flange has a hole diameter of 1 1/4" and an outer diameter of 3 1/16".  
Screw holes are 1/4" in diameter and are spaced at 2 2/16" apart.  
Flange sits at a depth of 5/8".

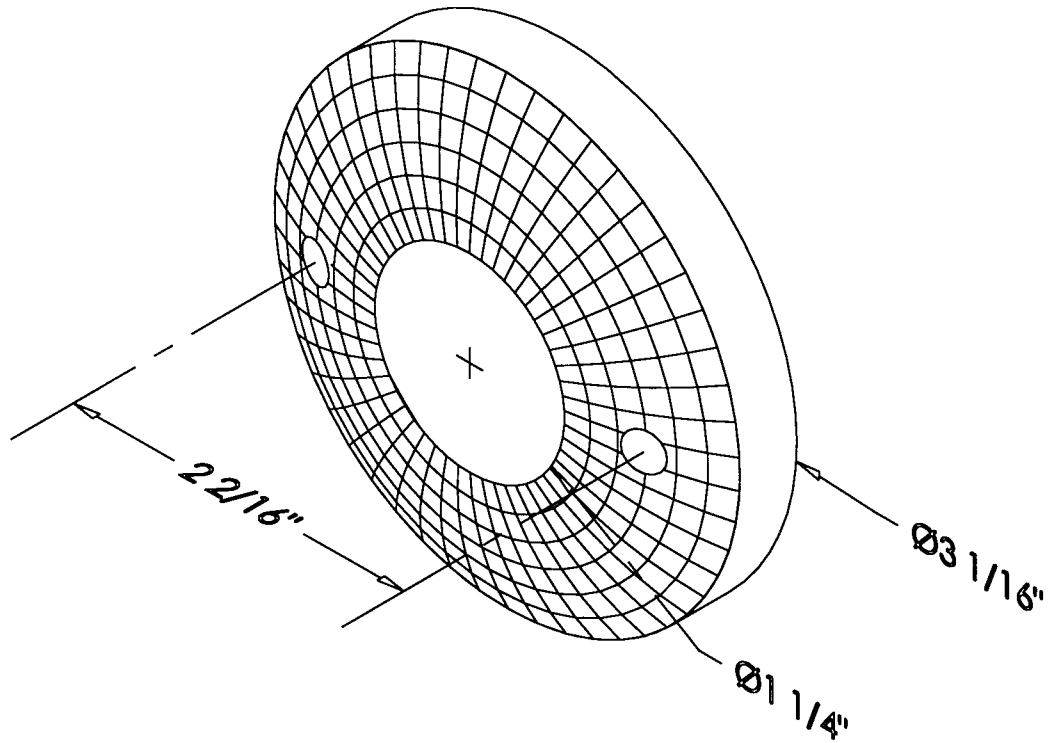
# BASCO TECHNICAL DATA SHEET

# 1205B

5/27/99

SHOWER ROD  
END FLANGES

EXPOSED SCREW  
POLISHED STAINLESS STEEL



Flange has a hole diameter of  $1 \frac{1}{4}$ " and an outer diameter of  $3 \frac{1}{16}$ ".  
Screw holes are  $\frac{1}{4}$ " in diameter and are spaced at  $2 \frac{2}{16}$ " apart.  
Flange sits at a depth of  $\frac{5}{8}$ ".