

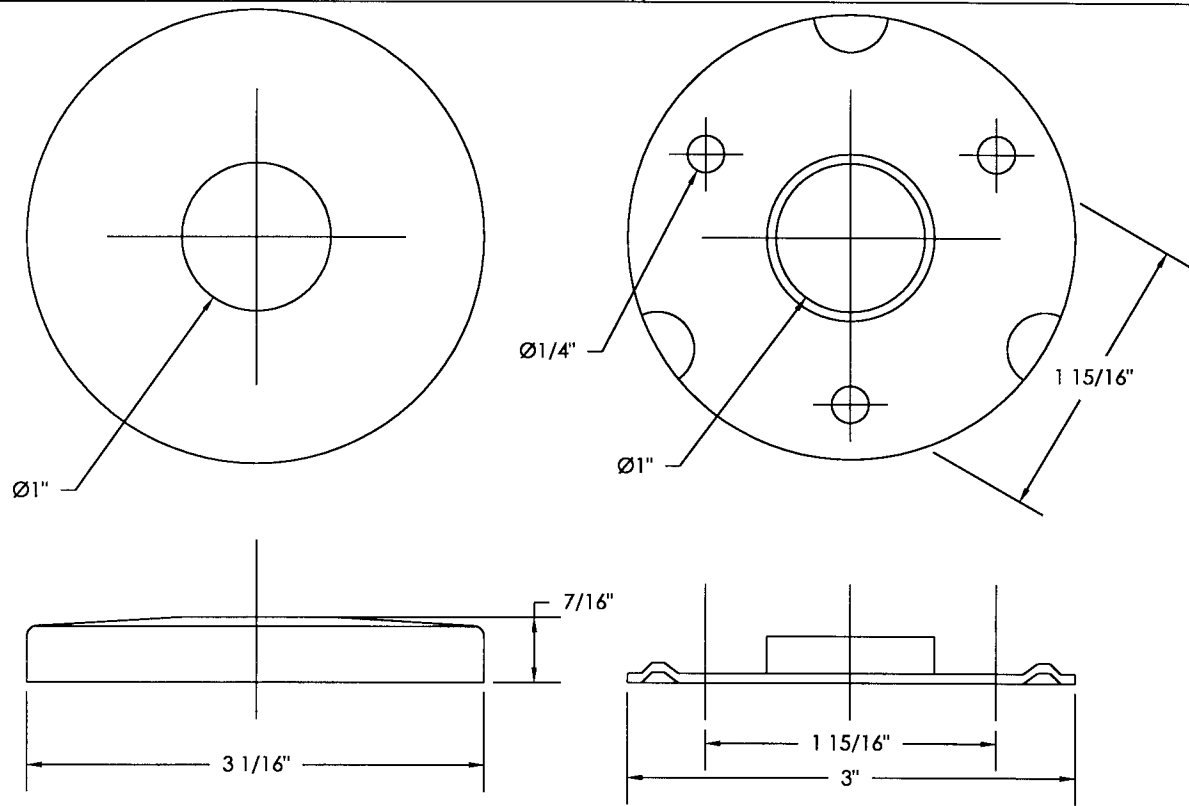
BASCO TECHNICAL DATA SHEET

1200B

5/28/99

SHOWER ROD
END FLANGES

CONCEALED SCREW
STAINLESS STEEL



Flange has a hole diameter of 1" and an outer diameter of $3\ 1/16"$.
Screw holes are $1/4"$ in diameter and are equilaterally spaced at $1\ 15/16"$ apart. Flange sits at a depth of $7/16"$.

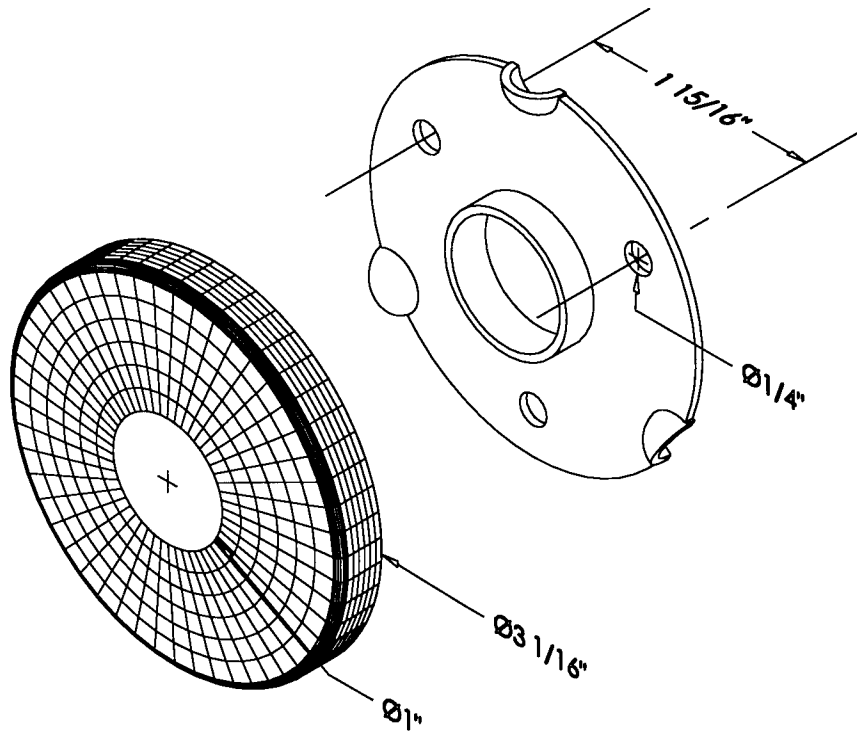
BASCO TECHNICAL DATA SHEET

1200B

5/28/99

SHOWER ROD
END FLANGES

CONCEALED SCREW
STAINLESS STEEL



Flange has a hole diameter of 1" and an outer diameter or 3/16".
Screw holes are 1/4" in diameter and are equilaterally spaced at 1
15/16" apart. Flange sits at a depth of 7/16".